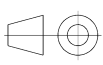

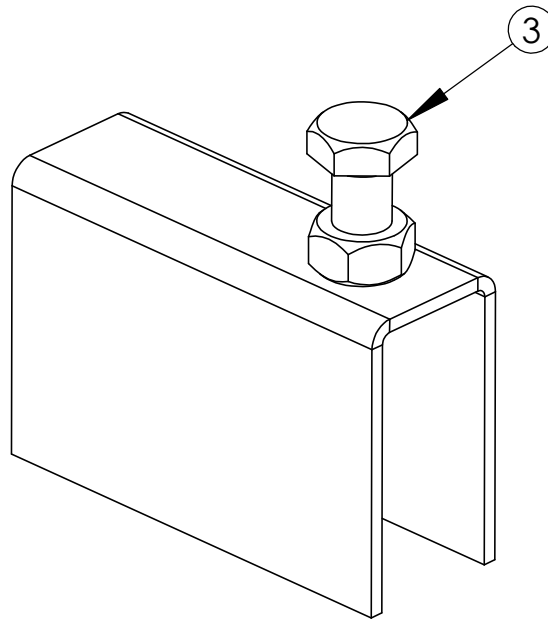
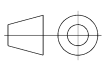
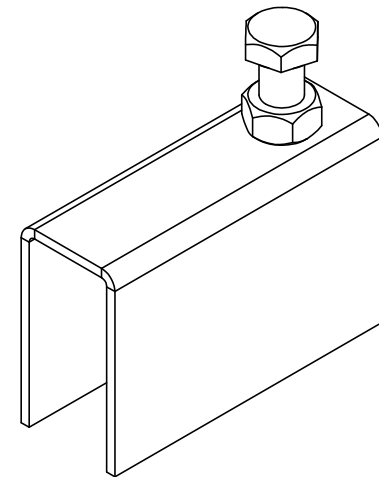
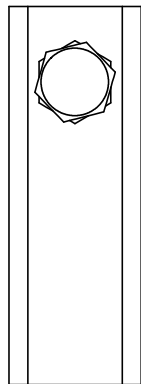
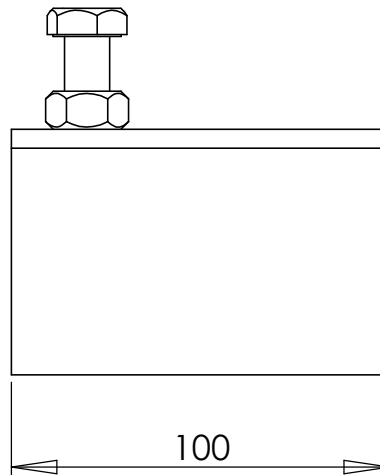
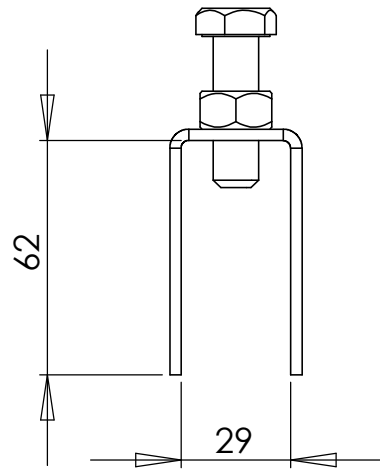


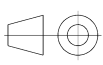

DO NOT SCALE DRAWING SHEET 1 OF 3	WEIGHT: 434.46			Rank Steel A/S  Industrivej 23 - 6900 Skjern - Denmark www.ranksteel.com	
	UNLESS OTHERWISE SPECIFIED: DIMENSIONS ARE IN MILLIMETERS TOLERANCES: LINEAR: According to ANGULAR: DIN 7168-g	NAME jo		DATE 13-08-2010	PROJECT / CLIENT
<b>PROPRIETARY AND CONFIDENTIAL</b> THE INFORMATION CONTAINED IN THIS DRAWING IS THE SOLE PROPERTY OF RANK STEEL A/S. ANY REPRODUCTION IN PART OR AS A WHOLE WITHOUT THE WRITTEN PERMISSION OF RANK STEEL A/S IS PROHIBITED.	Processes: welding shop prime		TITLE: Ejector fixing bracket, small		
	Remarks:		DWG NO. 900990	REVISION 0	

ITEM NO.	QTY.	PART NO.	REVISION	DESCRIPTION	DIN-ISO	REMARKS
1	1	801540	0	Ejector fixing bracket, small		
2	1	801560	0	M12 nut	DIN 934	untreated
3	1	801570	0	M12x40	DIN 931	Galvanized



DO NOT SCALE DRAWING SHEET 2 OF 3		WEIGHT: 434.46		 <b>Rank Steel A/S</b> Industrivej 23 - 6900 Skjern - Denmark <a href="http://www.ranksteel.com">www.ranksteel.com</a>	
UNLESS OTHERWISE SPECIFIED: DIMENSIONS ARE IN MILLIMETERS TOLERANCES: LINEAR: According to ANGULAR: DIN 7168-g		NAME		DATE	
		DRAWN jo		13-08-2010	
<b>PROPRIETARY AND CONFIDENTIAL</b>  THE INFORMATION CONTAINED IN THIS DRAWING IS THE SOLE PROPERTY OF RANK STEEL A/S. ANY REPRODUCTION IN PART OR AS A WHOLE WITHOUT THE WRITTEN PERMISSION OF RANK STEEL A/S IS PROHIBITED.		CHECKED		TITLE: Ejector fixing bracket, small	
		Processes: assembly		DWG NO. 900990	
		Remarks:			



DO NOT SCALE DRAWING SHEET 3 OF 3	WEIGHT: 434.46			<b>Rank Steel A/S</b>  Industrivej 23 - 6900 Skjern - Denmark <a href="http://www.ranksteel.com">www.ranksteel.com</a>	
	UNLESS OTHERWISE SPECIFIED: DIMENSIONS ARE IN MILLIMETERS TOLERANCES: LINEAR: According to ANGULAR: DIN 7168-g	NAME jo		DATE 13-08-2010	PROJECT / CLIENT
<b>PROPRIETARY AND CONFIDENTIAL</b>  THE INFORMATION CONTAINED IN THIS DRAWING IS THE SOLE PROPERTY OF RANK STEEL A/S. ANY REPRODUCTION IN PART OR AS A WHOLE WITHOUT THE WRITTEN PERMISSION OF RANK STEEL A/S IS PROHIBITED.	CHECKED		TITLE: Ejector fixing bracket, small		
	Processes: assembly		DWG NO. 900990		REVISION 0
	Remarks:				