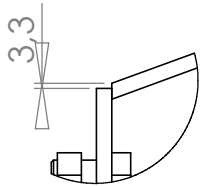


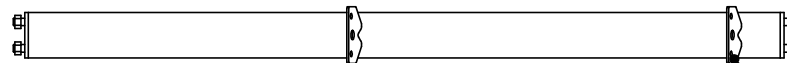
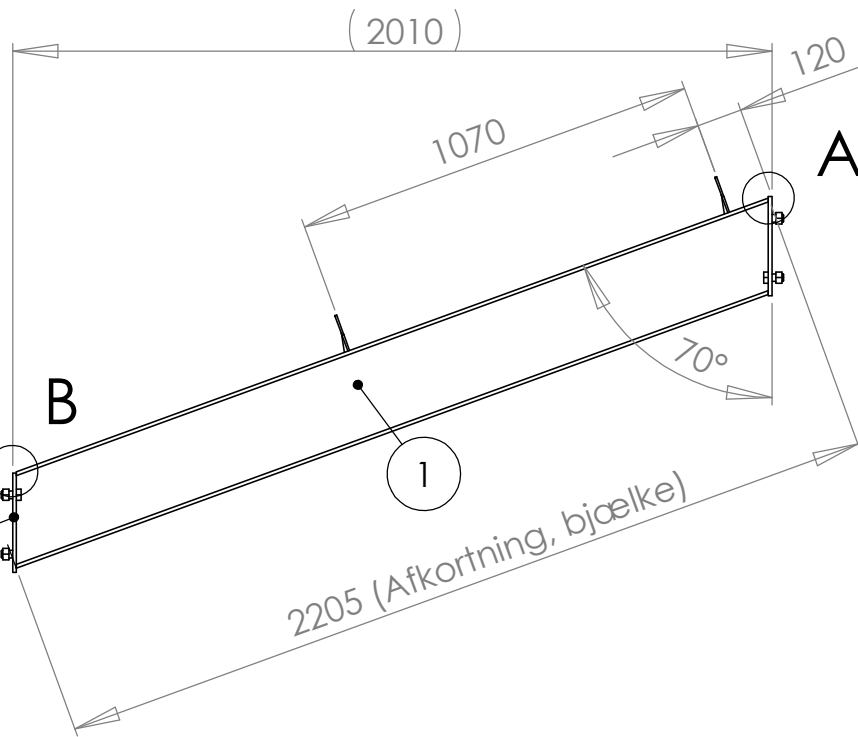
A



B




3



2

ITEM NO.	QTY.	PART NO.	DESCRIPTION
1	1	802000	Bjælke IPE240 til forlænger
2	2	800010	Åselaske
3	2	900940	Kiplade IPE240 - med bolt

DO NOT SCALE DRAWING SHEET 1 OF 1	WEIGHT: 71185.49		 Rank Steel A/S Industrivej 23 - 6900 Skjern - Denmark www.ranksteel.com
	UNLESS OTHERWISE SPECIFIED: DIMENSIONS ARE IN MILLIMETERS	NAME	
NORM: EN/DS	DRAWN		
PROPRIETARY AND CONFIDENTIAL THE INFORMATION CONTAINED IN THIS DRAWING IS THE SOLE PROPERTY OF RANK STEEL A/S. ANY REPRODUCTION IN PART OR AS A WHOLE WITHOUT THE WRITTEN PERMISSION OF RANK STEEL A/S IS PROHIBITED.	CHECKED	KV	2011.03
	Ring 9735 0033 eller mail contact@ranksteel.com		
DWG NO.			REVISION
901200			